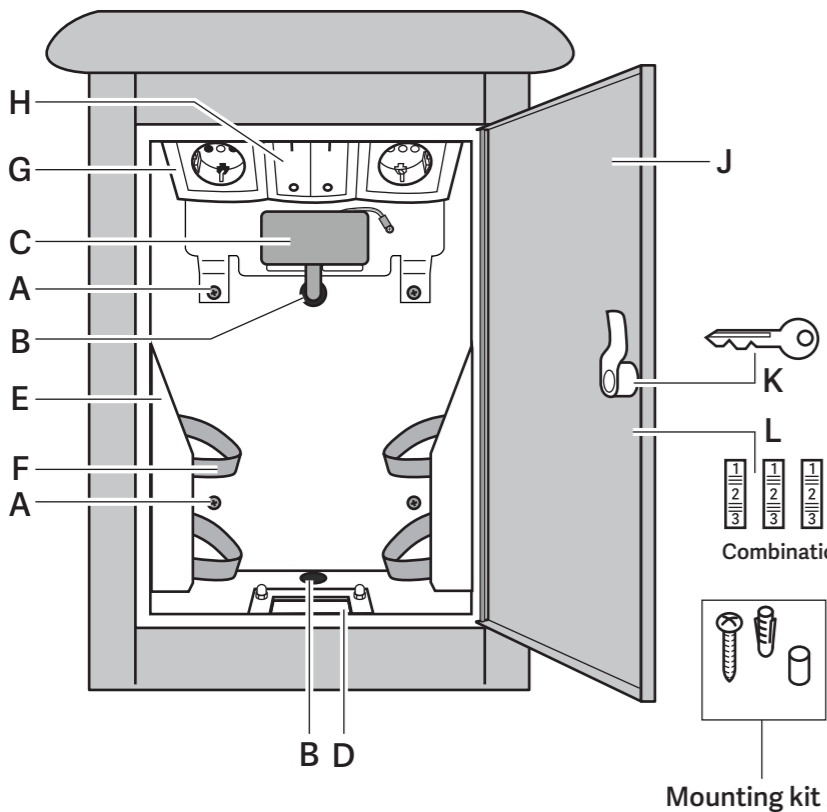


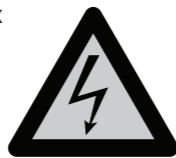
## ASSEMBLY INSTRUCTION

## 1 OVERVIEW



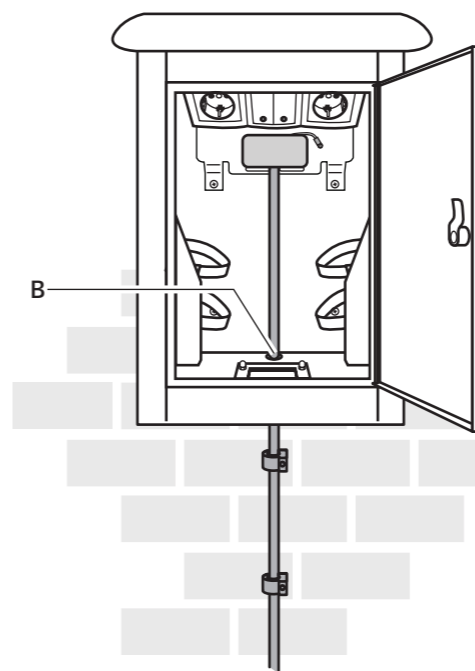
- A=Mounting holes and mounting kit
- B=Feed openings, with rubber ring
- C=Electrical connection box
- D=Feed opening for chargers
- E=Brackets for chargers
- F=Velcro straps
- G=Sockets for chargers
- H=On/Off switches
- J=Door
- K=Lock with key
- L=Combination lock (optional)

Combination lock (optional)



Turn off electric power while connecting electric cables.

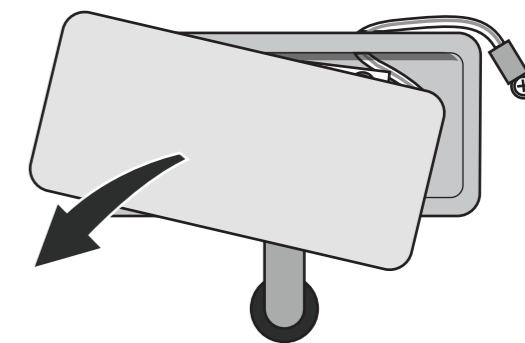
## CONNECTING A SURFACE MOUNTED CABLE



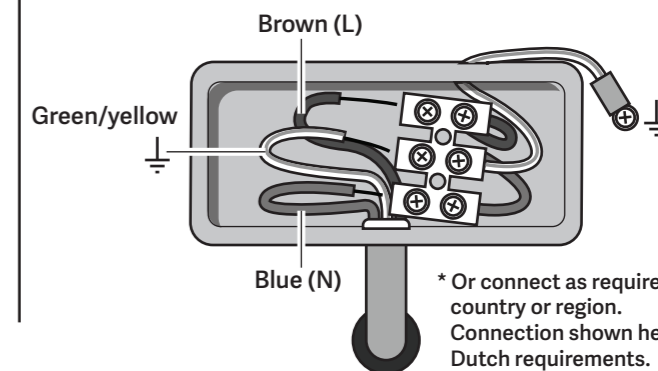
- 6 For a surface-mounted cable outside against the wall: Feed the cable through opening B at the bottom of the LOCKEY®, and connect as shown in Figure 8.

## ELECTRIC CONNECTION

- 7 Remove the cover from the electrical connection box C.

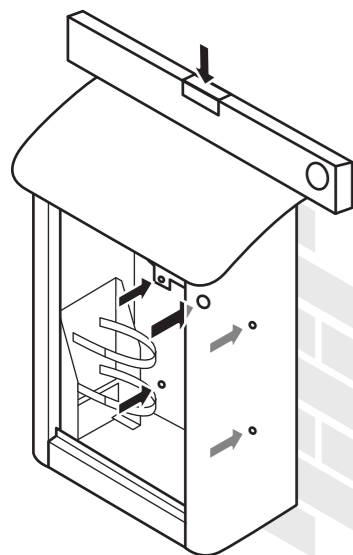


- 8 Connect the brown, green/yellow and blue wires\* as shown. Then close the lid.



\* Or connect as required in your country or region. Connection shown here is according to Dutch requirements.

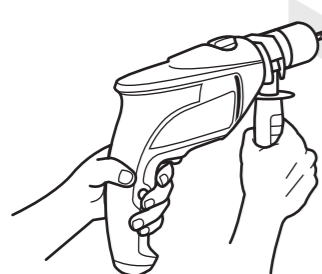
## ASSEMBLY TO A WALL



2

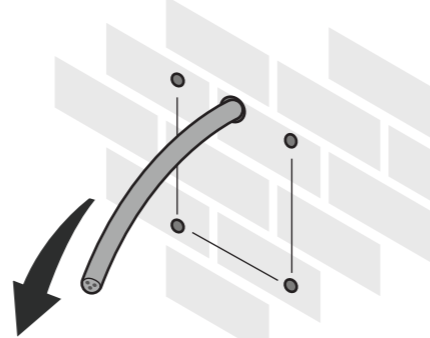
Hold the LOCKEY® level in its intended location against the wall, to mark the 4 mounting holes, and the feed hole for the cable.

4 Holes in the wall  
Sufficiently large hole for the cable



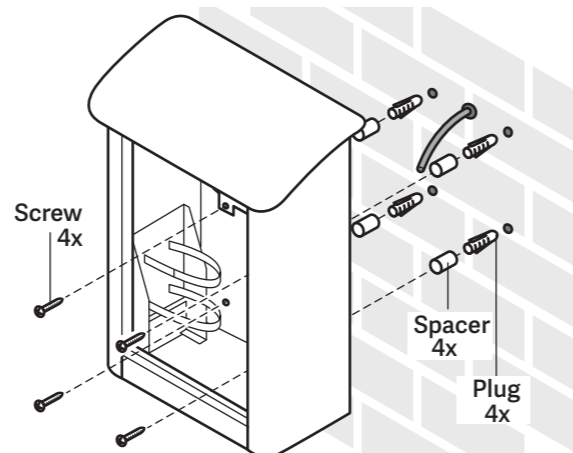
- 3 Drill the 4 holes for mounting the LOCKEY®.  
Drill the larger hole for the cable feed.

- 4 Feed the cable through the hole in the wall.

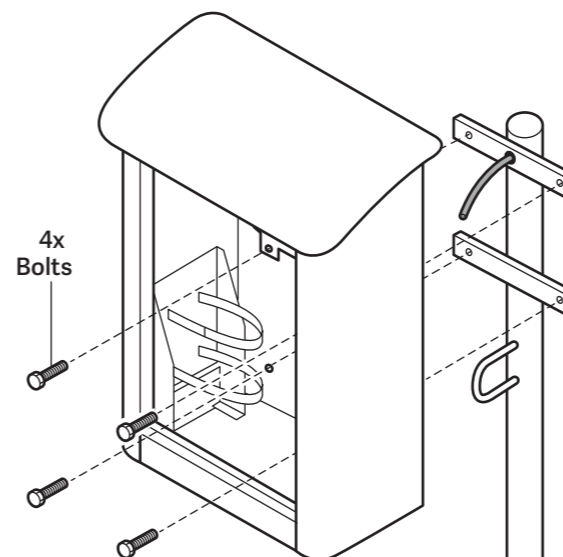


- 5 Feed the cable through opening B at the back of the LOCKEY®

Attach the LOCKEY® to the wall with mounting kit A.



## ASSEMBLY TO A POST

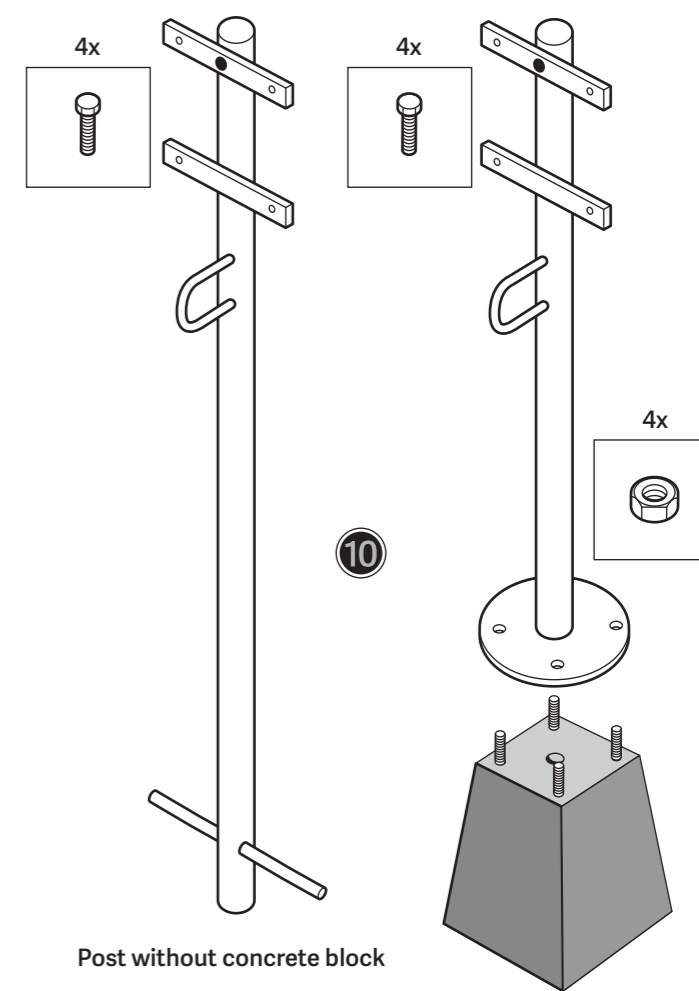


9

Feed the cable through opening B in the back of the LOCKEY®

Attach the Lockey® to the post with the bolts supplied with the post.

## 2 OPTIONAL TYPES OF POSTS

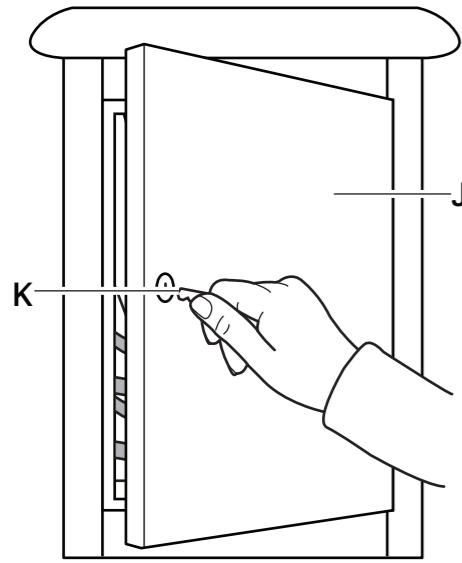


10

Post without concrete block

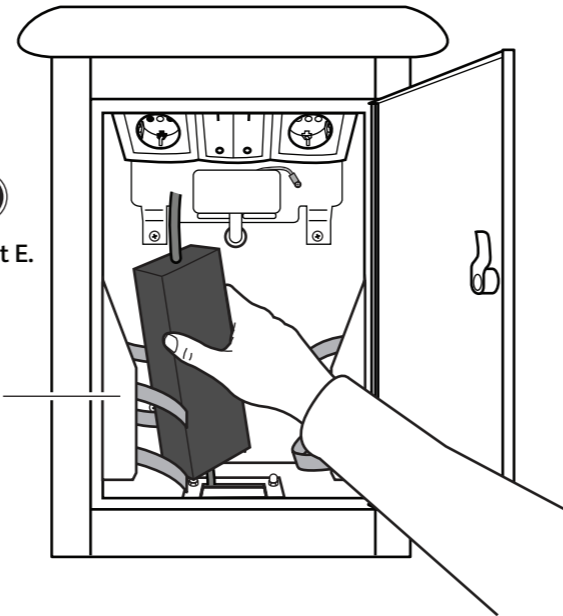
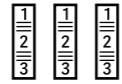
Post with concrete block

## HOW TO USE

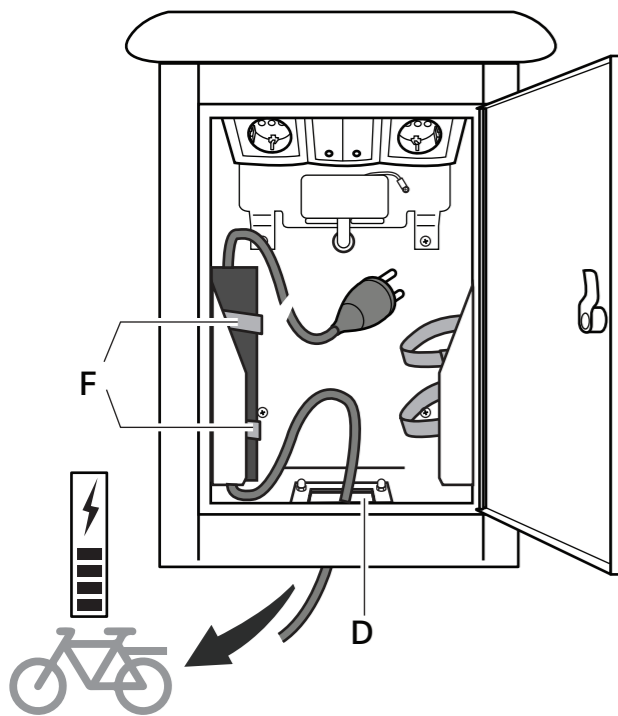


11  
Open the door J with key K.

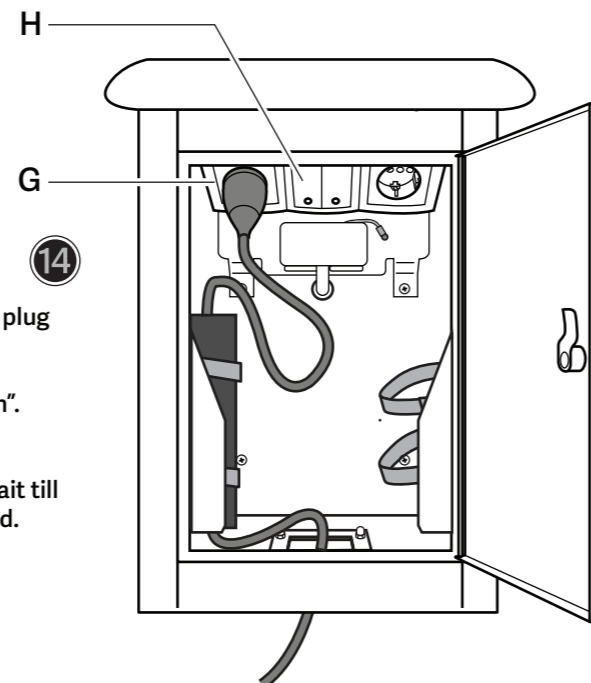
Or open with the combination lock



12  
Place the charger in bracket E.



13  
Tighten the charger with velcro straps F.  
Feed the outgoing cable through the opening at the bottom D, then connect to the bicycle.



14  
Connect the charger plug to socket G.  
Press switch H, to "on".  
Charging will start.  
Lock the door, and wait till charging is completed.



# Charger Vault Lockey®

## DISCLAIMER

The LOCKEY® must be mounted and electrically connected accurately and in accordance with the supplied instructions. Improper installation may result in damage to the LOCKEY®, personal injury or fire hazard.

Read this manual thoroughly before starting installation. Make sure you have the required skills and knowledge in assembling, installing and electrical connection.

If in doubt, we strongly recommend consulting a professional installer. This disclaimer does not cover damage or injury resulting from improper assembling, installing and electrical connection.

The LOCKEY® must be used in accordance with applicable laws and regulations. The manufacturer is not liable for incorrect use or installation.



Verhoef Innovations believes it is important that, after the end of the lifespan of a device, it is processed in the correct environmentally friendly manner and possible parts are recycled. Together we work towards a better planet.



# Verhoef Innovations